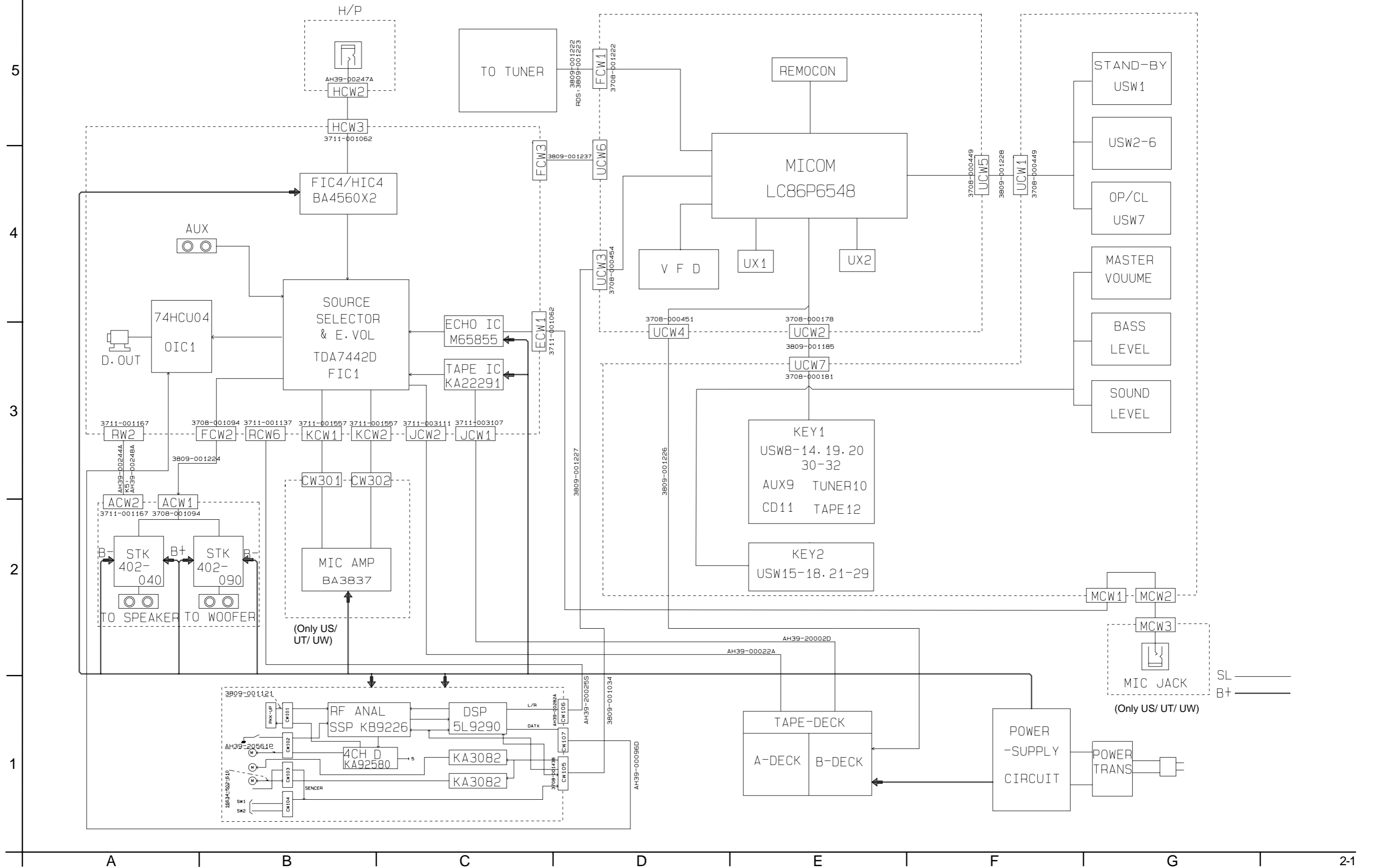


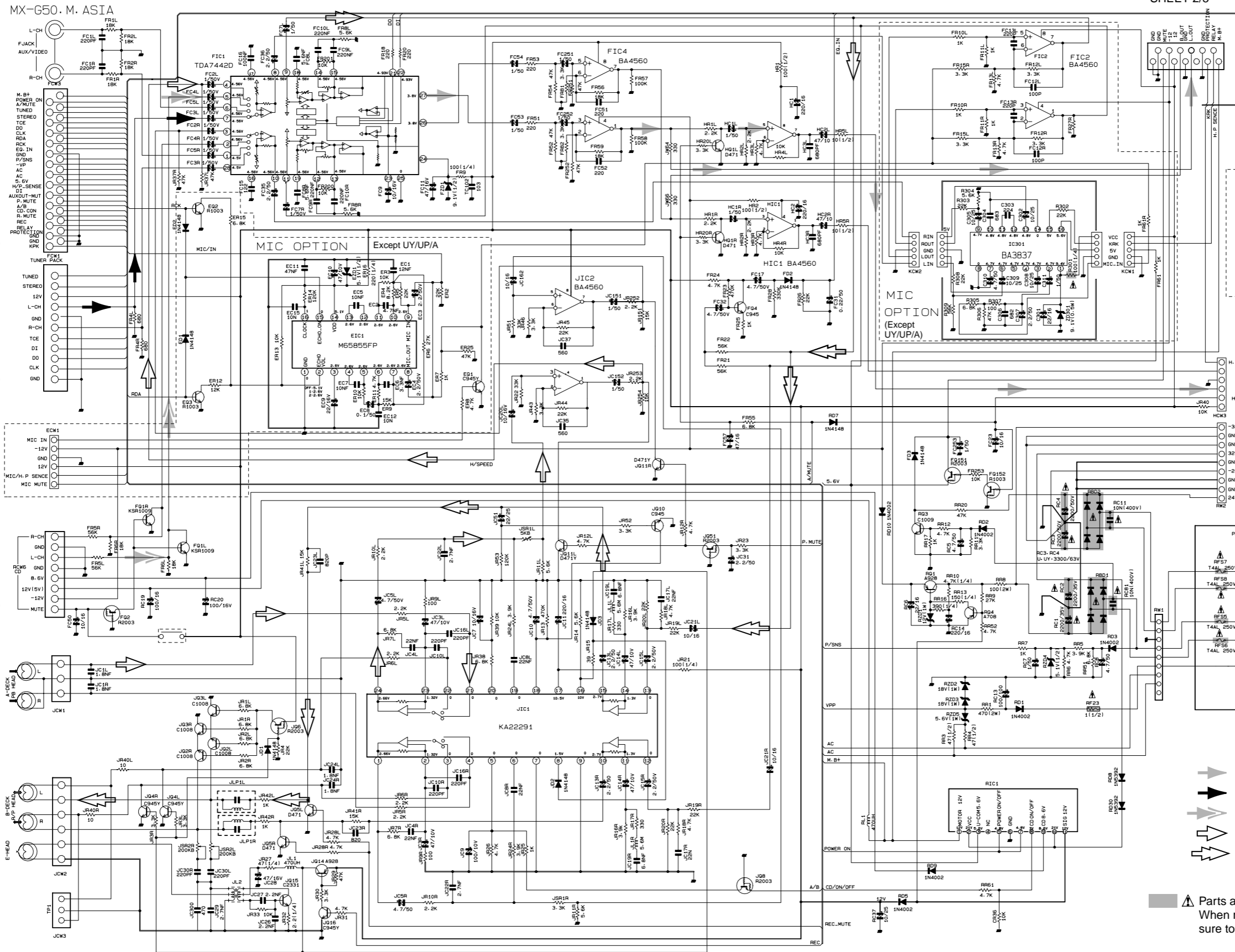
Block diagram



Standard schematic diagrams

■ Main section

SHEET 2/5



5

4

3

2

1

SHEET 3/5

SHEET 5/5

SHEET 4/5

OPTICAL JACK

H/P JACK

SHEET 2/5

Voltage selector

DELETE UP

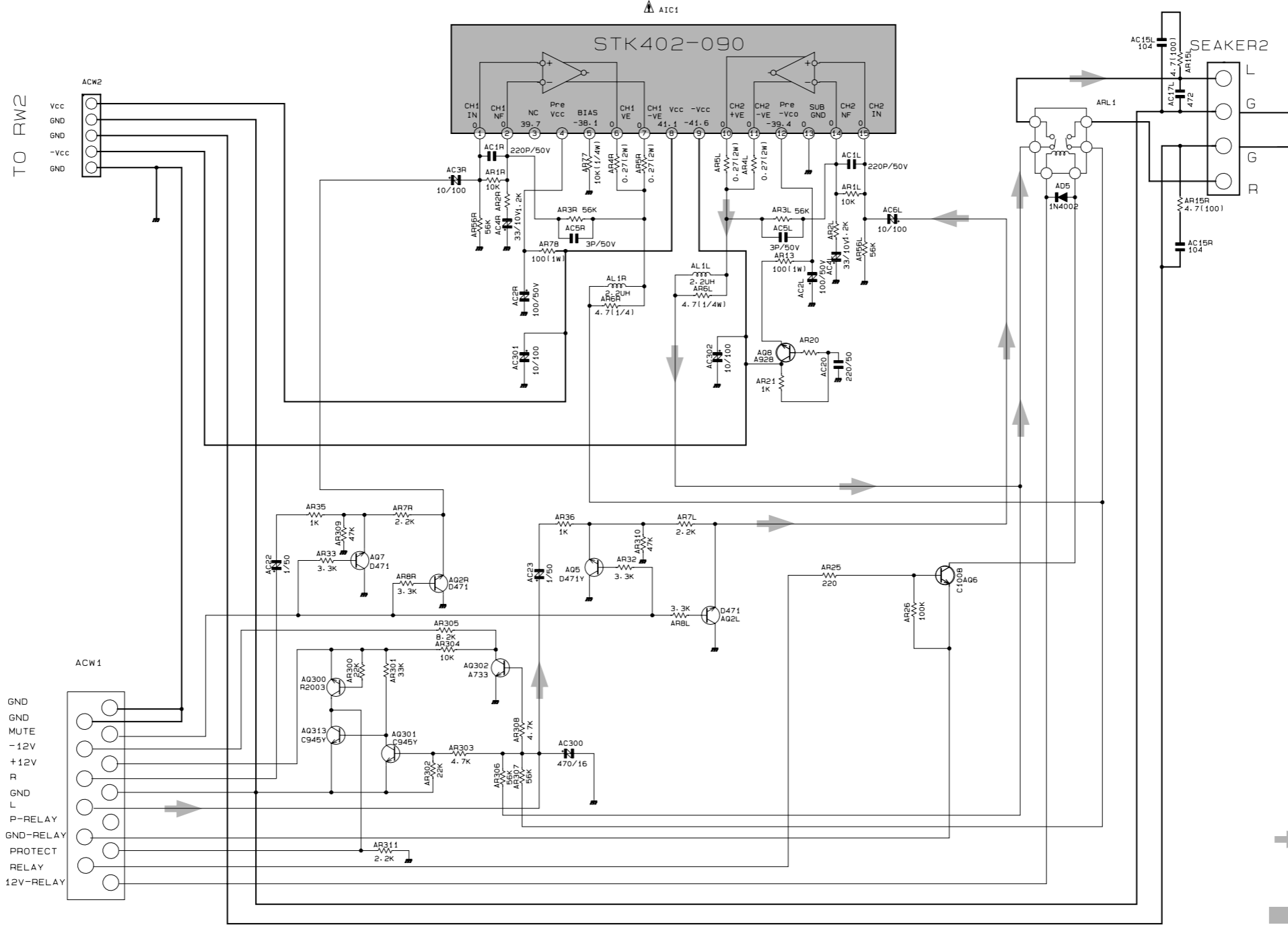
- ➔ MAIN signal
- ➔ TUNER signal
- ➔ CD signal
- ➔ TAPE P.B.signal
- ➔ TAPE REC.signal

⚠ Parts are safety assurance parts.
When replacing those parts make
sure to use the specified one.

Amplifier section

SHEET 1/5

SHEET 1/5



➔ Main signal

⚠ Parts are safety assurance parts. When replacing those parts make sure to use the specified one.

Front control section

5

4

3

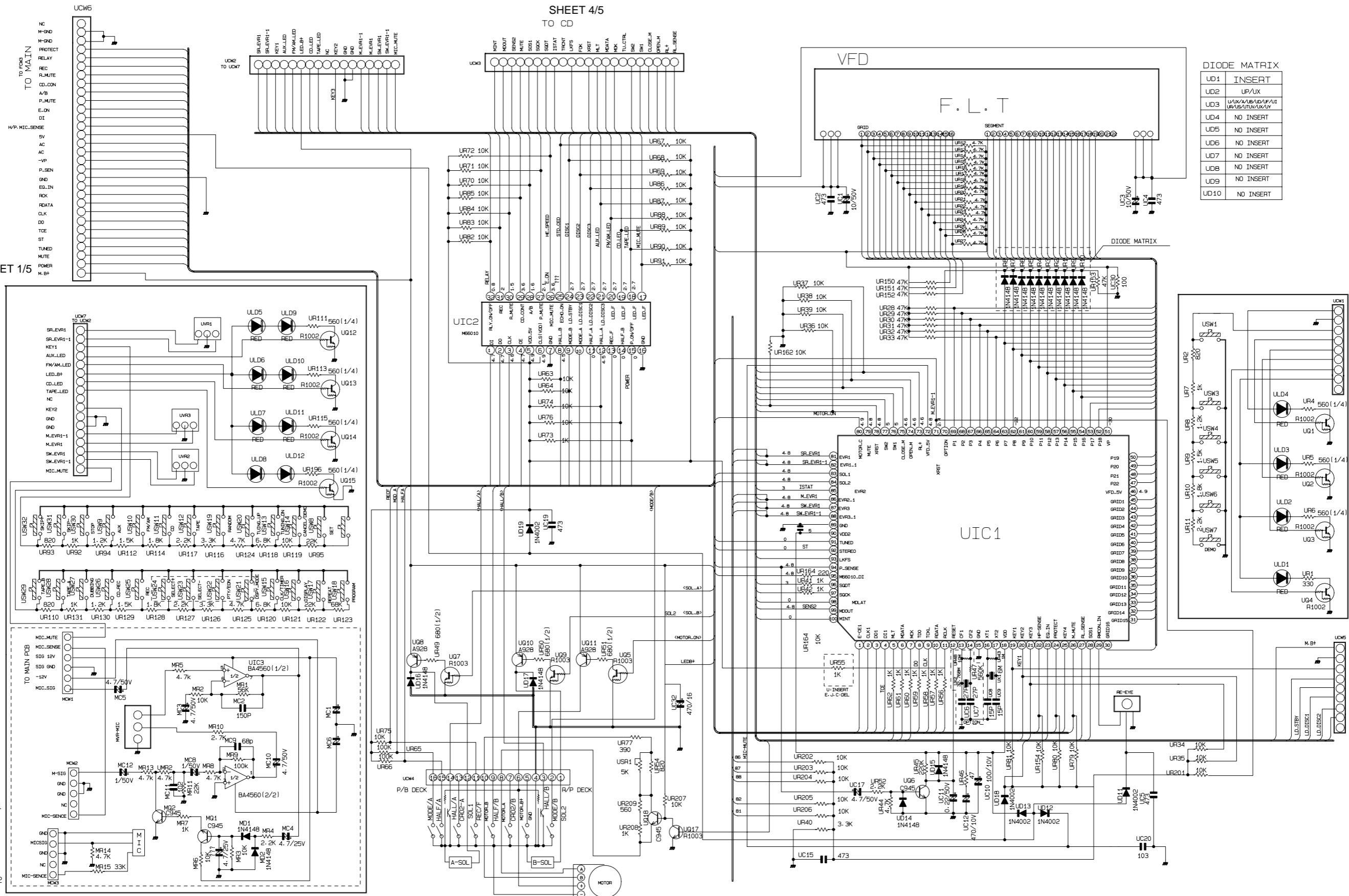
2

1

12

SHEET 4/5
TO CD

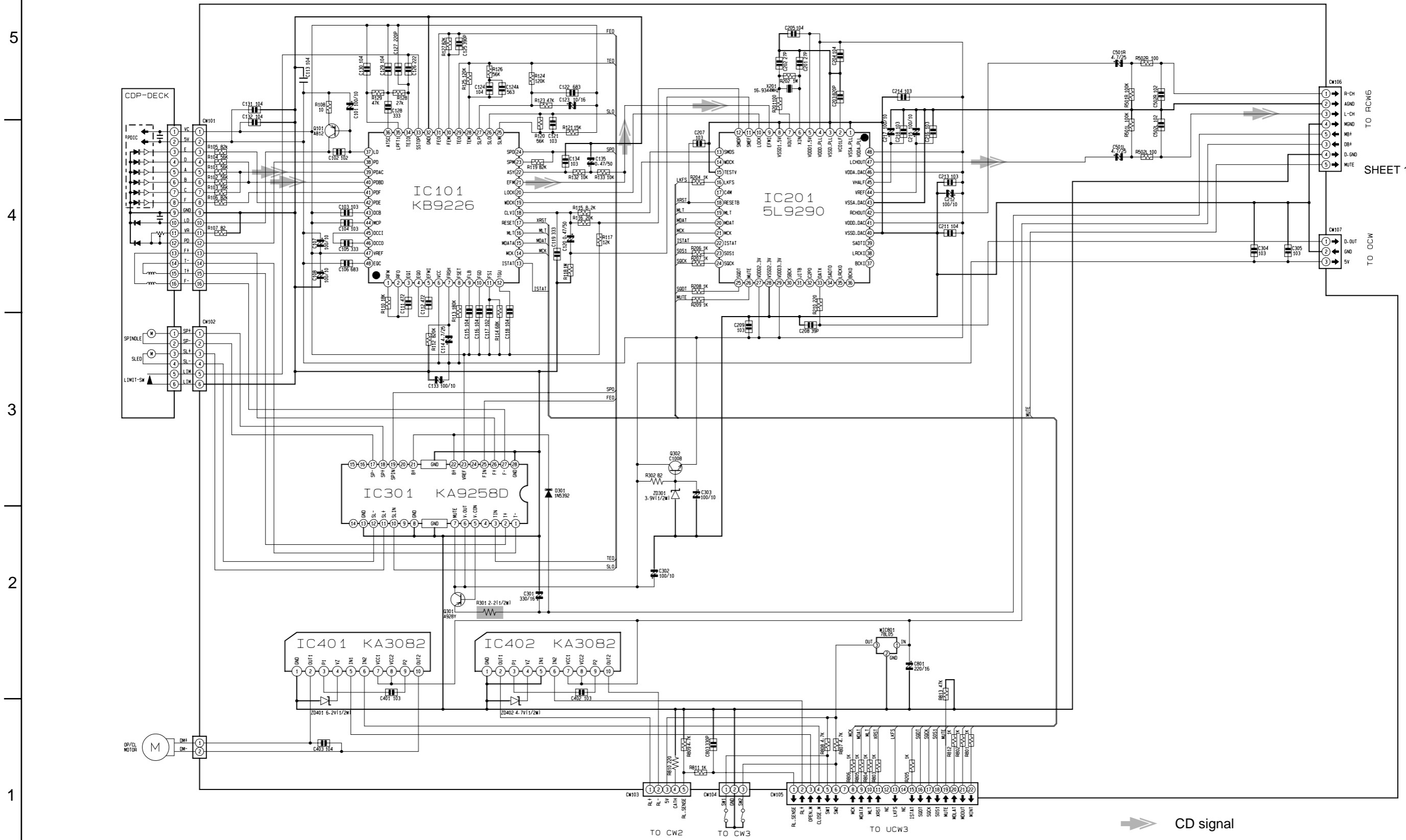
SHEET 1/5



DIODE MATRIX

UD1	INSERT
UD2	UP/UX
UD3	UP/A/UB/UD/UF/UT UR/BS/UTW/UX/Y
UD4	NO INSERT
UD5	NO INSERT
UD6	NO INSERT
UD7	NO INSERT
UD8	NO INSERT
UD9	NO INSERT
UD10	NO INSERT

CD section



SHEET 1/5

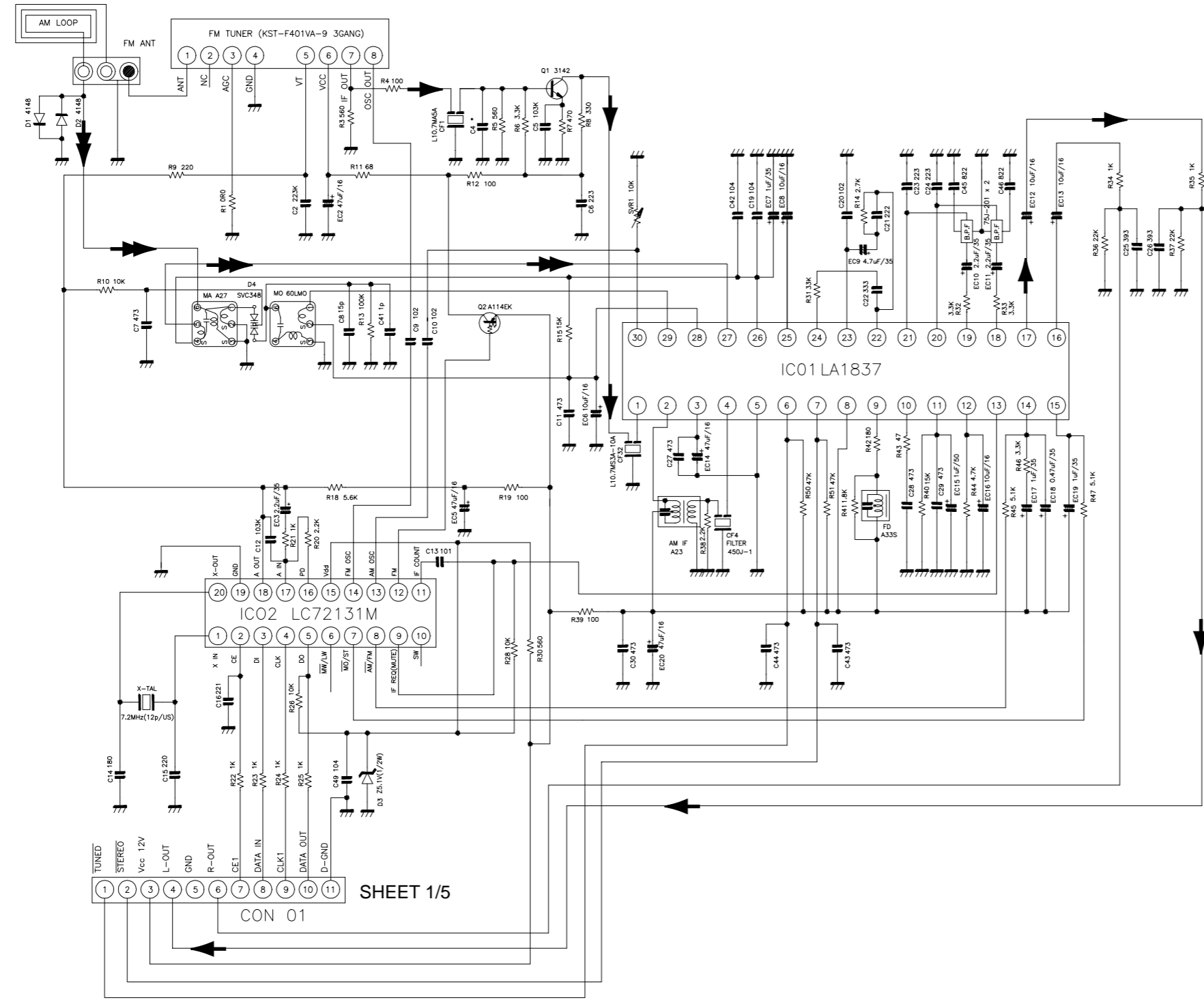
SHEET 3/5



➡ CD signal

⚠ Parts are safety assurance parts. When replacing those parts make sure to use the specified one.

SHEET 4/5

■ Tuner section

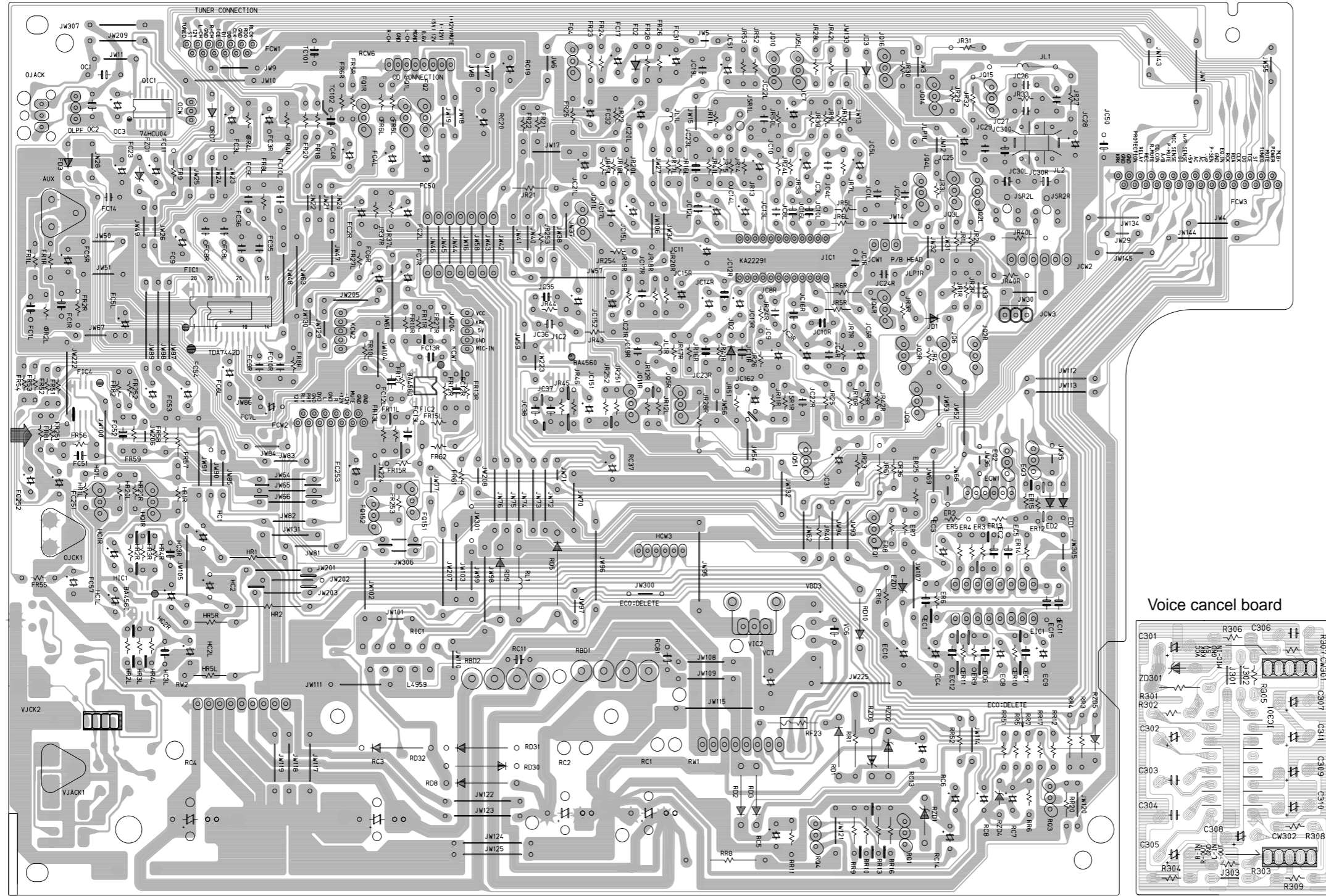


 FM/TUNER signal
 AM signal

SHEET 1/5

Printed circuit boards

■ Main board



5
4
3
2
1

A B C D E F G 2-7

■ Amplifier board

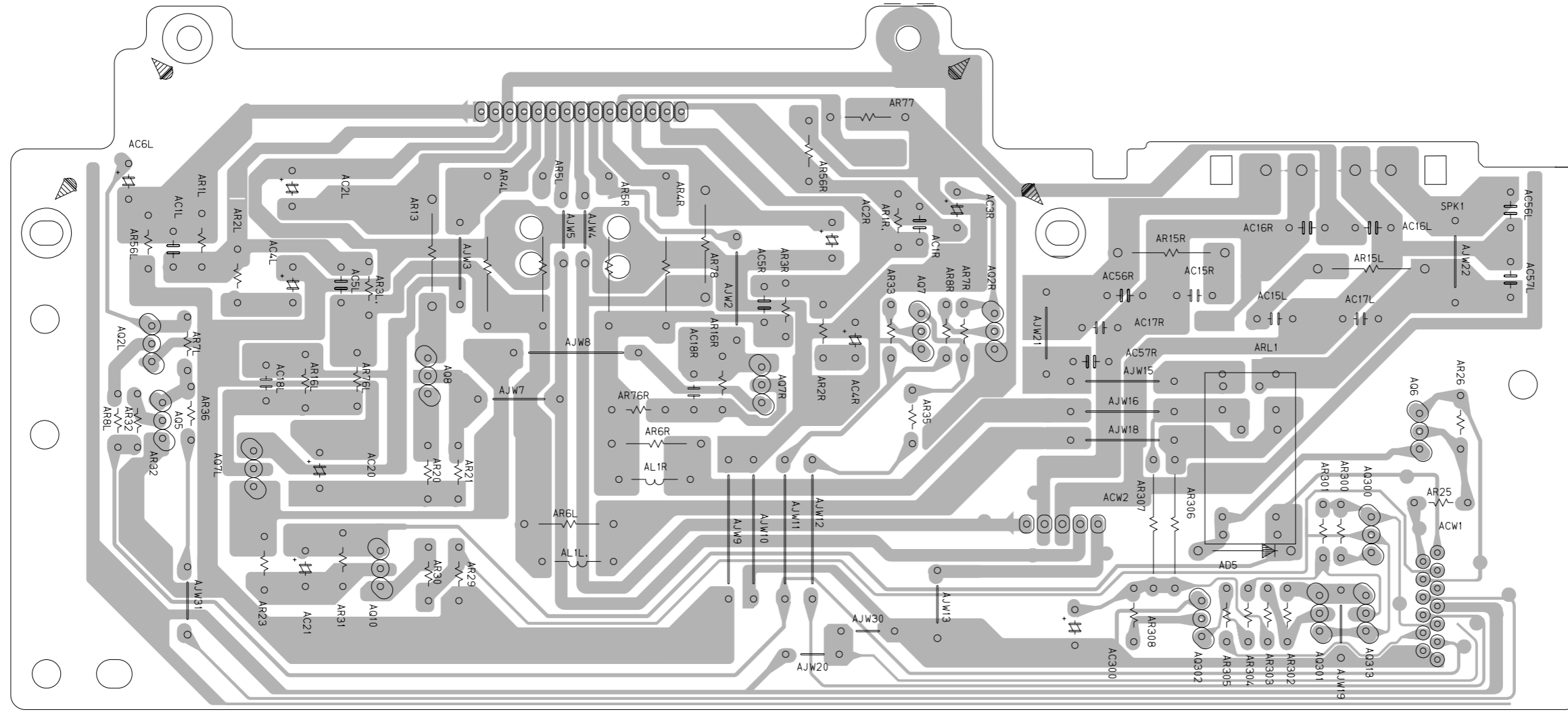
5

4

3

2

1



A

B

C

28

D

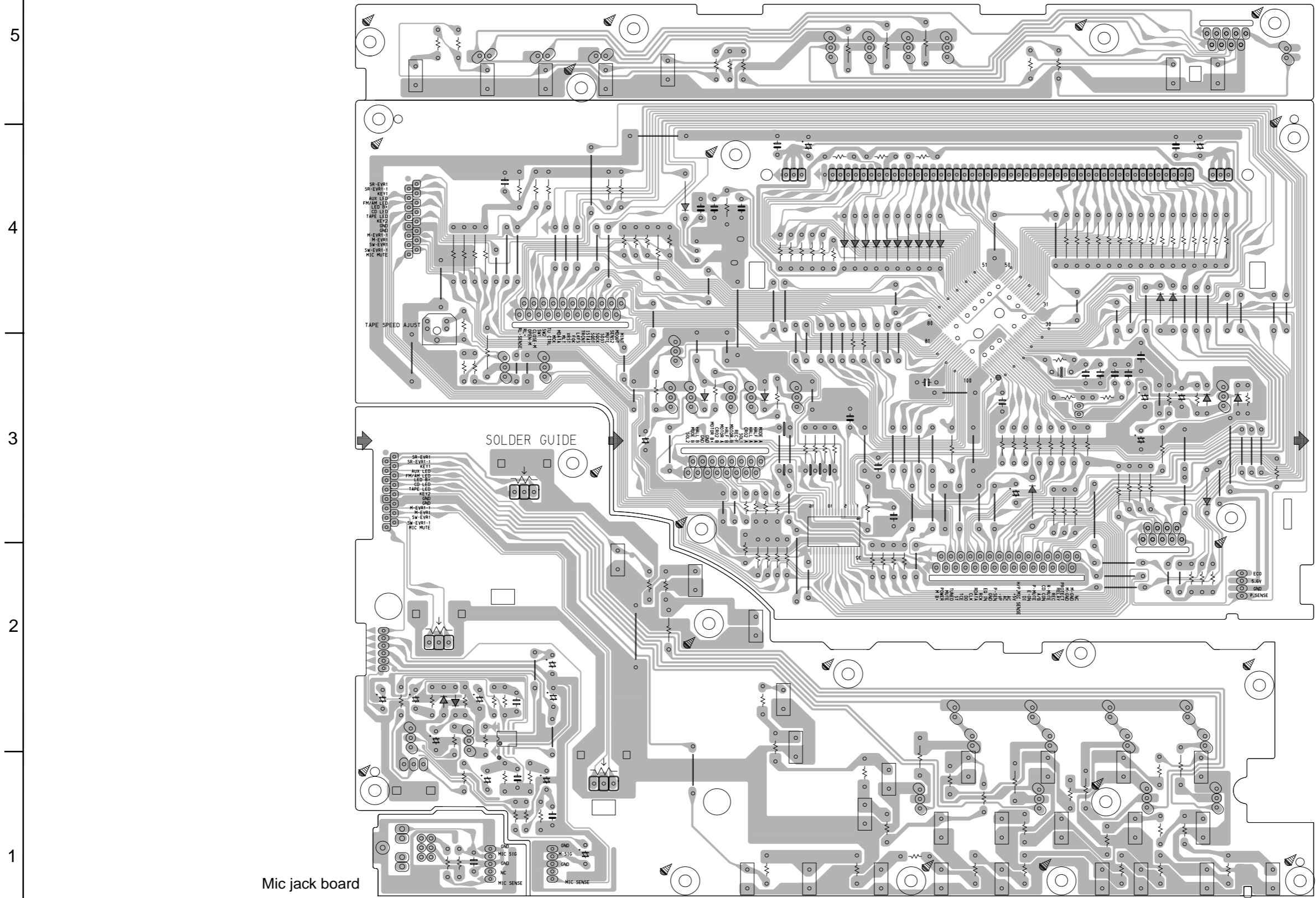
E

F

G

H

■ Front board



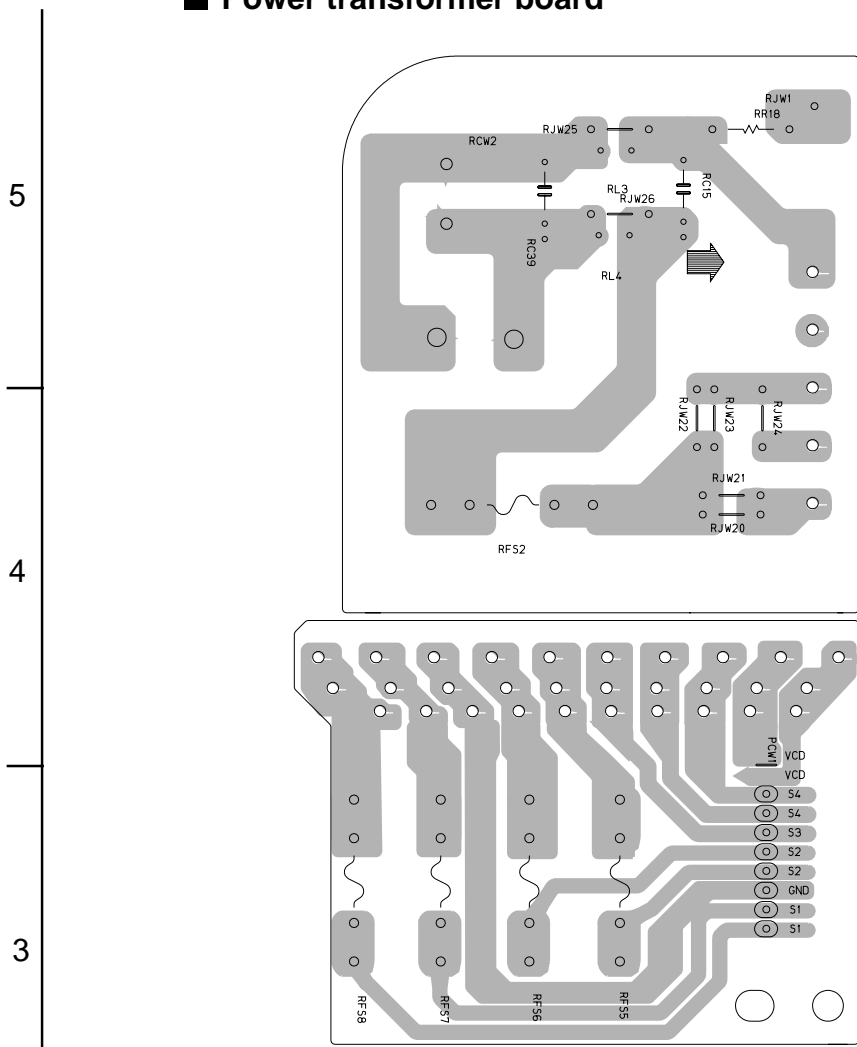
Power / CD switch board

FL display & system control board

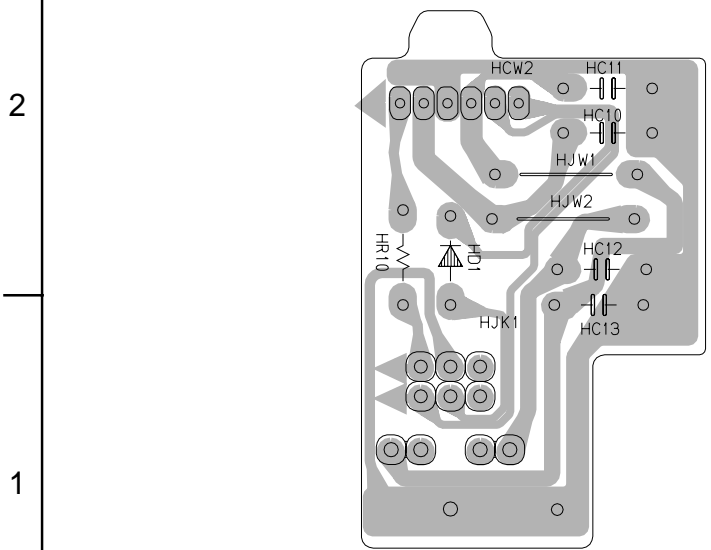
Front key switch board

Mic jack board

■ Power transformer board

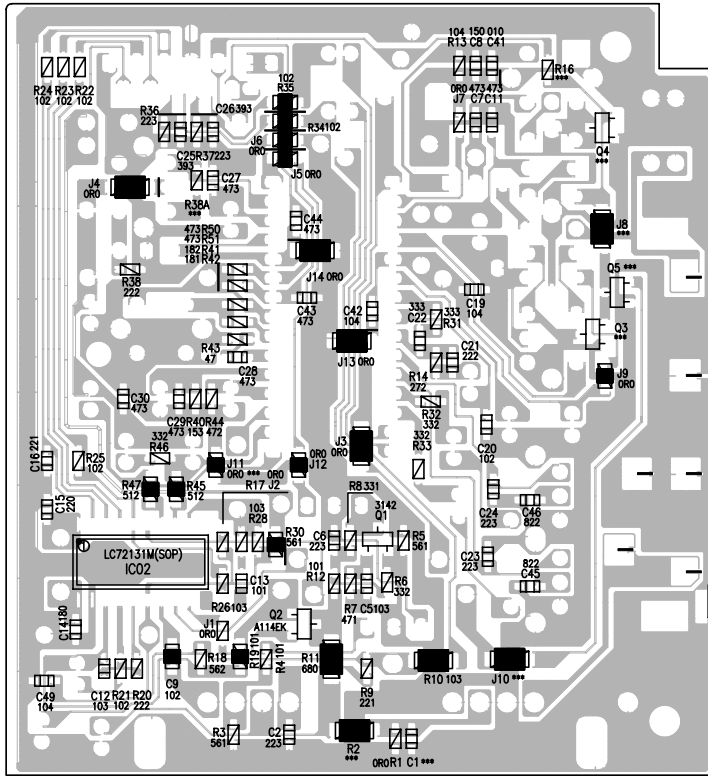


■ Head phone board



■ Tuner board

Reverse side



Front side

